

SFR-COVERED PATIO **HEAVY** ROOFING MATERIAL 2018 IBC

Clark County
Dept. of Building & Fire Prevention
4701 W Russell Rd
Las Vegas, NV 89118
(702) 455-3000

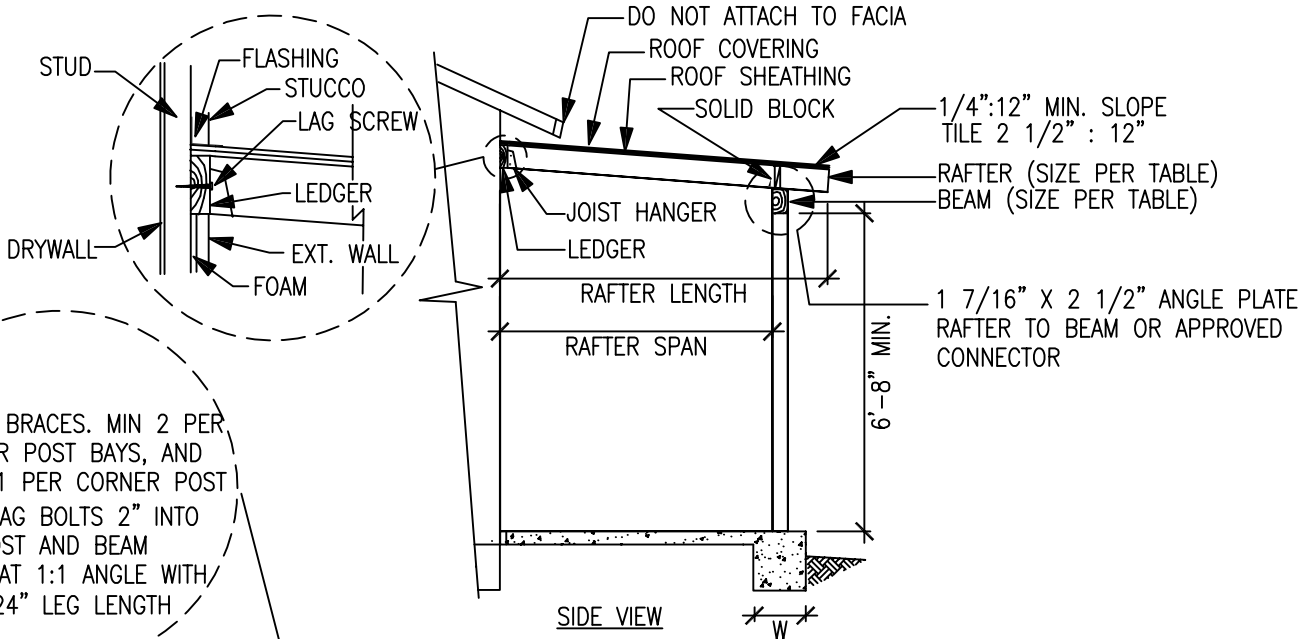
Boulder City
Building Department
401 California Avenue
Boulder City, NV 89005
(702) 293-9282

Henderson
Building & Fire Safety Dept.
240 Water Street
Henderson, NV 89015
(702) 267-3650

Las Vegas
Building & Safety Dept.
333 N. Rancho Drive
Las Vegas, NV 89106
(702) 229-6251

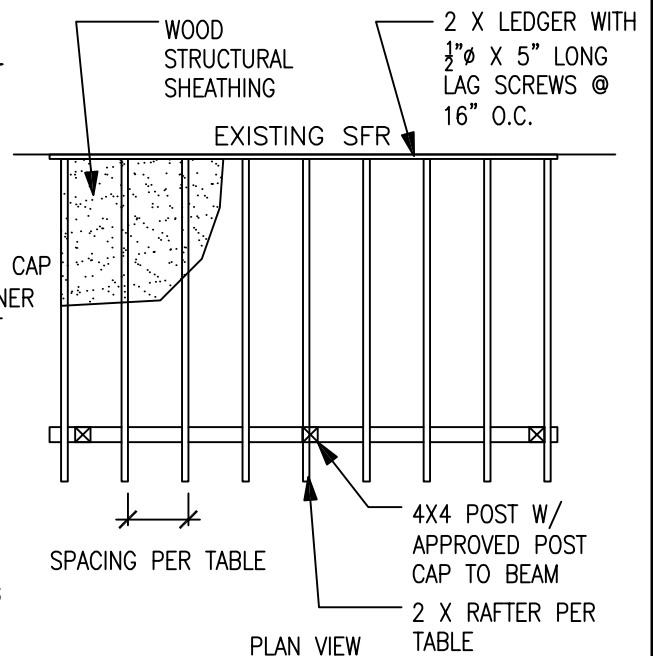
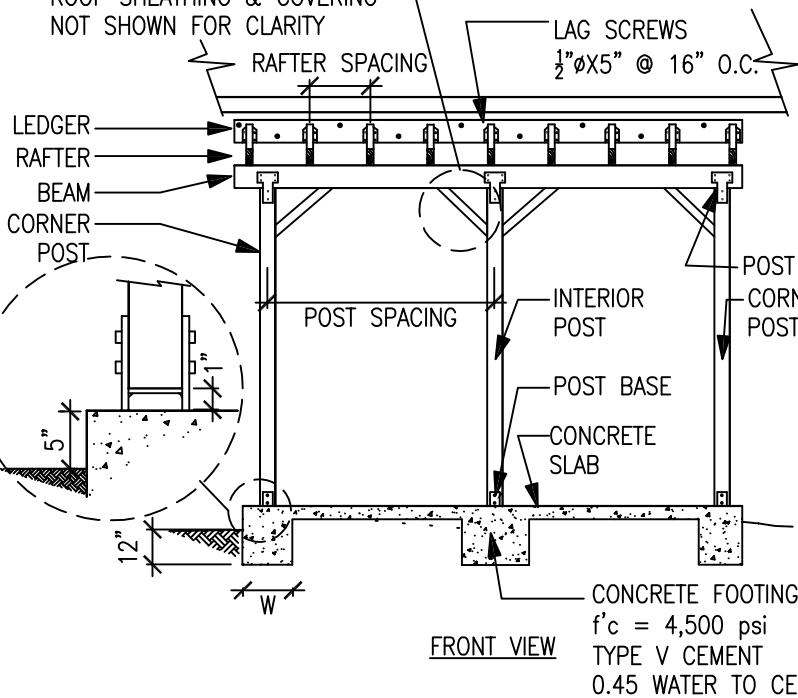
****THIS HANDOUT IS NOT INTENDED FOR THE CONSTRUCTION OF DECKS, BALCONIES, OR ROOM ADDITIONS**

MORE THAN THE MINIMUM SLOPE OF 1/4:12 MAY BE REQUIRED DUE TO THE ROOF COVERING SELECTED



4X KNEE BRACES. MIN 2 PER INTERIOR POST BAYS, AND MINIMUM 1 PER CORNER POST
MIN 1/2" LAG BOLTS 2" INTO POST AND BEAM
INSTALL AT 1:1 ANGLE WITH MIN 24" LEG LENGTH

ROOF SHEATHING & COVERING NOT SHOWN FOR CLARITY



Mesquite
Building Department
10 East Mesquite Blvd.
Mesquite, NV 89027
(702) 346-2835

North Las Vegas
Building & Fire Safety
2250 Las Vegas Blvd. N
N. Las Vegas, NV 89030
(702) 633-1577

Pahrump
Building & Fire Safety Dept.
250 N Hwy 160 Suite #3
Pahrump, NV 89060
(775) 751-3373

SOUTHERN NEVADA BUILDING OFFICIALS
REGIONAL STANDARDS

B-103-2
2-5-2019
PG. 2 OF 2

SFR-COVERED PATIO **HEAVY** ROOFING MATERIAL 2018 IBC

Clark County
Dept. of Building & Fire Prevention
4701 W Russell Rd
Las Vegas, NV 89118
(702) 455-3000

Boulder City
Building Department
401 California Avenue
Boulder City, NV 89005
(702) 293-9282

Henderson
Building & Fire Safety Dept.
240 Water Street
Henderson, NV 89015
(702) 267-3650

Las Vegas
Building & Safety Dept.
333 N. Rancho Drive
Las Vegas, NV 89106
(702) 229-6251

RAFTER SPAN USING DOUGLAS FIR #2 GRADING AGENCY WWPA, WCLIB		
SIZE	SPACING	MAX SPAN
2X4	12"	8'-7"
	16"	7'-10"
	24"	6'-10"
2X6	12"	13'-6"
	16"	12'-3"
	24"	10'-2"
2X8	12"	17'-10"
	16"	15'-9"
	24"	12'-10"
2X10	12"	22'-3"
	16"	19'-3"
	24"	15'-9"

POST SPACING	BEAM SIZE USING DOUGLAS FIR #2 GRADING AGENCY WWPA, WCLIB RAFTER SPAN WITH 1'-6" OVERHANG							
	8'	9'	10'	11'	12'	13'	14'	15'
8'		4X6						
9'								
10'			4X8					
11'								
12'			4X10					
13'								
14'			4X12					
15'					4X14			
SQUARE FOOTING SIZE (W X W) IN INCHES								
POST SPACING	RAFTER SPAN WITH 1'-6" OVERHANG							
	8'	9'	10'	11'	12'	13'	14'	15'
8'	18	18	18	20	20	20	20	22
9'	18	18	20	20	20	22	22	22
10'	18	20	20	22	22	22	24	24
11'	20	20	22	22	22	24	24	24
12'	20	22	22	24	24	24	26	26
13'	22	22	24	24	24	26	26	28
14'	22	24	24	24	26	26	28	28
15'	24	24	24	26	26	28	28	28

NOTE: WHEN ADDING 1/2" GYPSUM BOARD AND 1/2" STUCCO FOR CEILING/SOFFIT:

- INCREASE (1) RAFTER SIZE FOR REQUIRED SPAN/SPACING
- INCREASE (1) BEAM SIZE
- ADD 2" TO 'W' FOR SQUARE FOOTING SIZE

APPLICANT _____.

JOB ADDRESS _____.

PATIO DIMENSION _____ X _____.

RAFTER SIZE _____ X _____ SPACING _____ O.C. SPAN _____.

LEDGER SIZE _____ X _____.

POST SIZE _____ X _____ SPACING _____ O.C.

BEAM SIZE _____ X _____.

FOOTING SIZE _____ X _____.

ROOF MATERIAL _____.

ROOF PITCH _____.

ROOF SHEATHING _____.

DESIGN CRITERIA
LIVE LOAD 10 PSF
DEAD LOAD 20 PSF
LIVE LOAD DEFLECTION L/360
ALLOWABLE SOIL BEARING 1000 PSF

Mesquite
Building Department
10 East Mesquite Blvd.
Mesquite, NV 89027
(702) 346-2835

North Las Vegas
Building & Fire Safety
2250 Las Vegas Blvd. N
N. Las Vegas, NV 89030
(702) 633-1577

Pahrump
Building & Fire Safety Dept.
250 N Hwy 160 Suite #3
Pahrump, NV 89060
(775) 751-3373